

HPM86 Single Crystal Silicon Pressure Transmitter



Nanjing Hangjia Electronic Technology Co., Ltd.

Overview

HPM86 monocrystalline silicon pressure transmitter The monocrystalline silicon sensor chip made of MEMS technology and embedded professional signal processing module realize the combination of static pressure and temperature compensation processing, which can provide high measurement accuracy and long-term stability under a wide range of static pressure and temperature changes.

Features

- .High precision and high stability
- .Good environmental adaptability
- .Intelligent static pressure compensation and temperature compensation to reduce measurement errors
- .Flexible compression range
- .Strong operability and convenience
- .5-digit LCD digital display with backlight
- .Multiple display functions (mA, Pa, kPa, MPa, bar, mbar, %, psi, mmH2O)
- .Built-in three buttons with quick operation and on-site adjustment
- .Using a variety of anti-corrosion materials

Technical Parameters

Measuring Medium :liquid, gas, steam

- ◆ Measuring Range:

Range	kPa	mbar	Unilateral	Bilateral Static Pressure
M1	-40~40	-400~400	3MPa	25MPa
M2	-100~100	-1000~1000	8MPa	25MPa
M3	-200~200	-2000~2000	8MPa	25MPa
M4	-400~400	-4000~4000	8MPa	25MPa
L1	-4000~4000	-40000~40000	10MPa	25MPa

Output Signal:(4~20)mADC+HART protocol

- ◆ Permissible Load Resistance: 0~600Ω(DC 24V)

Note: When communicates with hand-held communicator, it requires at least 250Ω load resistance.

- ◆ Supply Voltage:

General Service	DC10.5~45V
Intrinsic Safety and Explosion-proof	DC10.5~26V

Zero-scale Migration: migrate within the range between -20% of maximum range and 20% of maximum range

- ◆ Output Mode: linear output, square root output (can be adjusted remotely by configuration software)
- ◆ Environment Temperature: -40~85℃ (when fill in fluorocarbon oil:-10~60℃)
- ◆ Storage Temperature: -40~90℃

- ◆ Accuracy:

Range	Reference Accuracy
M1,M2,M3,M4,L1	TD 1:1...15:1 =±0.075%
	TD > 15:1
	=±(0.0015×TD+0.053) %

*TD- Range Rate

- ◆ Environment Temperature Influence: Total influence value/28℃ (50°F)

Range	Influence
M1,M2,M3	±[0.08 % of range+0.015 % of maximum
M4,L1	±[0.08 % of range +0.03 % of maximum

- ◆ Static Pressure Influence:: ±0.05% of range/10MPa
- ◆ Overpressure Influence: ±0.05% of maximum range /10MPa
- ◆ Stability: ±0.05% of maximum range /12 months
- ◆ Explosion Proof: Ex ia II CT4; Exd II CT6

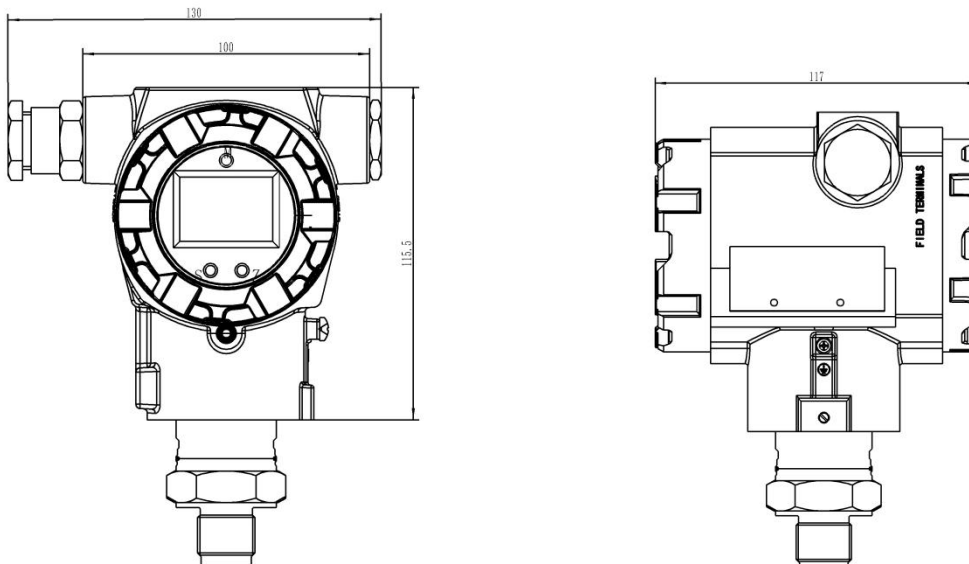
Structure Drawing

- ◆ Material for liquid connection: see the selection guide for details

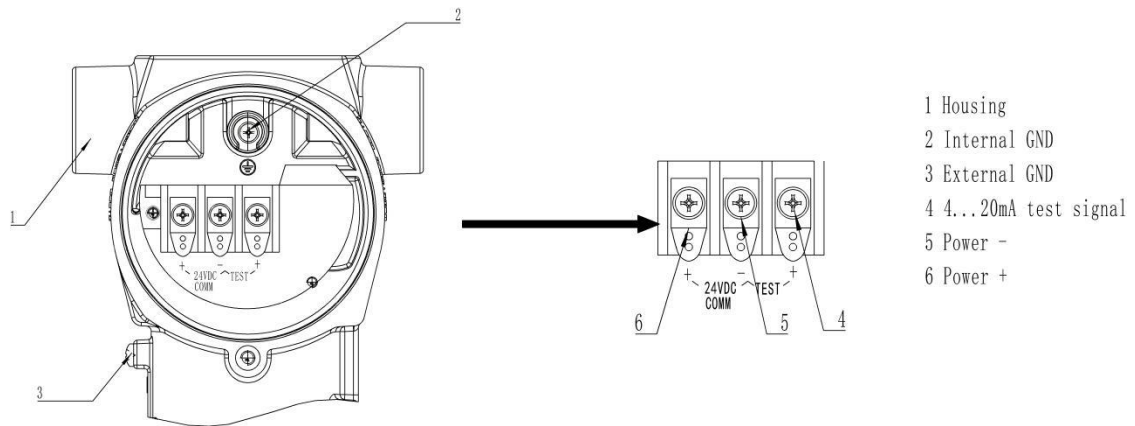
Material code	Isolation Diaphragm	Install Splint
S	Isolation diaphragm :SUS316L	SUS316L
H	Isolation diaphragm: hastelloy C	SUS316L
T	Isolation diaphragm: tantalum	SUS316L
G	Isolation diaphragm: gold plated	SUS316L

- ◆ Transmitter shell: low copper aluminum die casting + polyurethane coating
- ◆ Transmitter shell cover: low copper aluminum die casting + polyurethane coating
- ◆ Protection grade: IP66
- ◆ Nameplate: SUS304
- ◆ Filling oil: silicone oil, fluorine oil, sanitary oil, etc
- ◆ External dimension: according to the external drawing
- ◆ Weight: about 2.9-3.1kg (body)
- ◆ Cable inlet: M20×1.5

Structure Drawings(unit:mm)



Electrical Connection



Ordering Guide

Item NO.	Code	Illustration
HPM86		Monocrystalline Silicon Pressure Transmitter
Output Signal	H - - - - -	4~20mA, HART Protocol Digital Communication
Measuring Range (diaphragm capsule)	S1 - - - - -	-1~1kPa
	S2 - - - - -	-6~6kPa
	M1 - - - - -	-40~40kPa
	M2 - - - - -	-100~100kPa
	M3 - - - - -	-100~200kPa
	M4 - - - - -	-100~400kPa
	L1 - - - - -	-100~4000kPa
L2 - - - - -	-100~40000kPa	
Material of Contacted Liquid	S - - - - -	Isolation diaphragm:SUS316L
	H - - - - -	Isolation diaphragm: Hastelloy C
	T - - - - -	Isolation diaphragm:Tantalum
	G - - - - -	Isolation diaphragm: Gold Plating
Filling Liquid	S - - - - -	Silicone Oil
	F - - - - -	Fluorocarbon Oil
	O - - - - -	Vegetable Oil
Thread Spec	N14F - - - - -	1/4NPT Internal Thread
	N12F - - - - -	1/2NPT Internal Thread
	M20M - - - - -	M20*1.5 External Thread
Electrical Connection		M20 - - - M20x1.5
Display Header		D - - with LCD display N - - N/A
Installment Holder		L - - L holder N - - N/A
Holder Material		T - Sherardize on Carbon Steel S - Stainless Steel 304 X - Other Requirements
Explosion-Proof of	d - i - N -	Ex db IIC T4...T6 Gb Ex tb IIIC T85°C...T135°C Db Ex ia II CT6 Ga N/A
Order Code		V Special Requirements
Reference Item: HPM86-H-M1-S-S-M20M-M20-D-N-L-S-N-V		