

## HPM760 Sanitary Pressure Transmitter



Nanjing Hangjia Electronic Technology Co.,Ltd.

## Overview

HPM760 sanitary pressure transmitter adopts the overall stainless steel structure, the shell is molded in one piece, sturdy and beautiful. The product adopts hygienic design and meets GMP, EHEDG and FDA standards. Plane membrane directly feel the pressure signal, silicon pressure core as a sensitive element, built-in processing circuit will be converted to standard voltage or current signal output sensor signal, and after automatic testing and laser resistance adjustment process for a wide temperature range performance compensation. The product has been strictly screened by long-term aging and stability assessment and other processes, stable and reliable performance.

HPM760 hygienic pressure transmitter with on-site digital display, chuck end face force diaphragm exposed directly feel the pressure, can put an end to scaling, unhygienic and viscous pressure clogging and other issues, widely used in pharmaceuticals, food, brewing, milk, juice, beverages, etc., pressure and liquid level measurement.

## Features

- Flush membrane structure
- Integral stainless steel integrated structure
- On-site display, and output standard remote signal at the same time
- Optional structure with heat sink to cope with high temperature media
- Multiple process connections

## Application

- Food and Beverage Industry
- Pharmaceutical industry
- Level measurement
- Pressure measurement in industrial process control

## Technical Parameters

Pressure Range	
Gauge Pressure	-100kPa...0 ~ 10kPa...2.5MPa
Absolute Pressure	0 ~ 20kPa...2.5MPa
Overload	1.5x of full scale
Measuring Medium	
Type	Various liquids and gases compatible with contact materials
Output/Power Supply	
Standard	Two wire: 4~20mA / Vs=8~30V
Standard	Two wire: 4~20mA+HART / Vs=12~32V
Standard	Three wire: 0 ~ 10V / Vs=12~30V

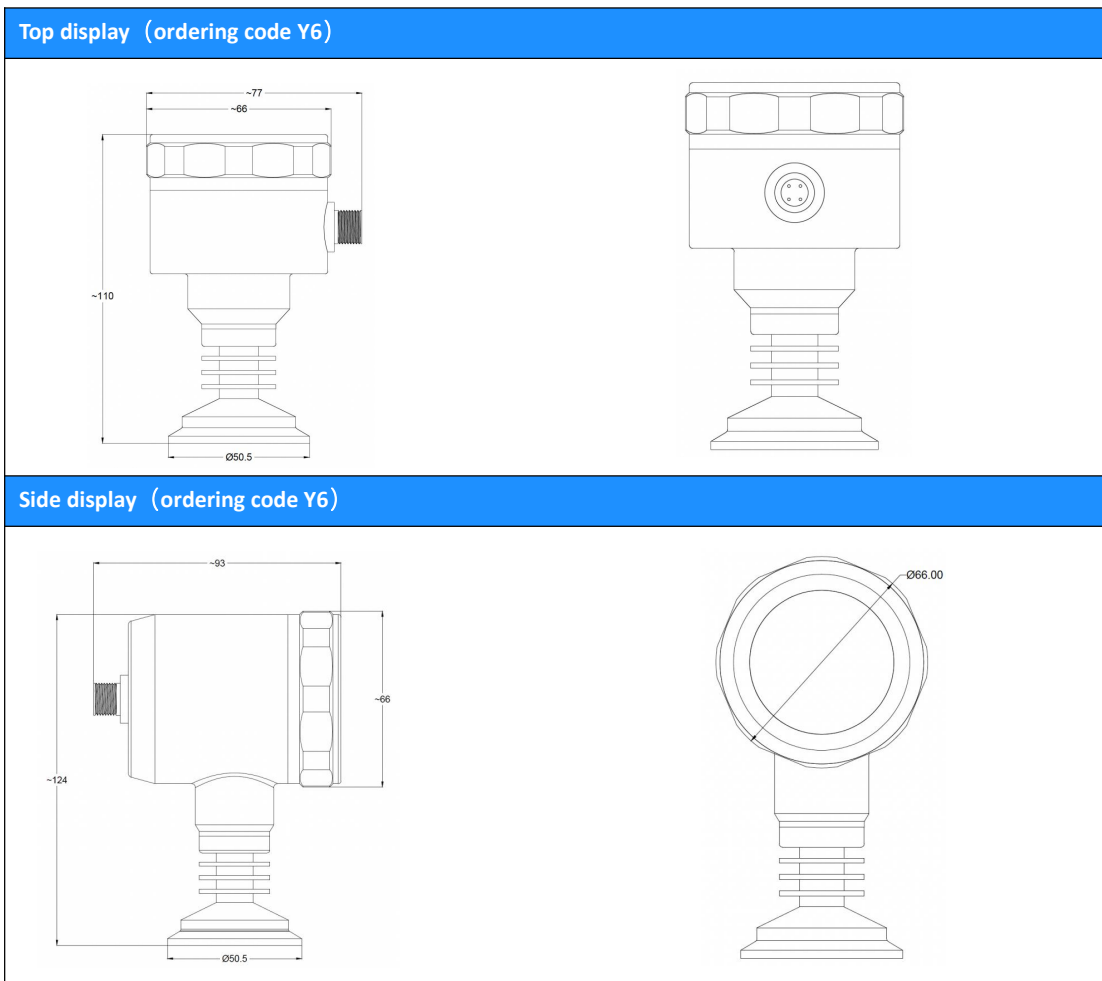
Performance	
Accuracy*	±0.5%FS @ 25°C
Long term stability	±0.50%FS/year, ≤100kPa ±0.25%FS/year, >100kPa
(includes linearity, hysteresis, and repeatability)*	
Temperature Drift Characteristics	
Compensation temperature range	-5 ~ 60°C
Zero temperature drift	±0.4%FS/10°C (within the temperature compensation range), ≤100kPa ±0.3%FS/10°C (within the temperature compensation range), >100kPa
Fullness temperature drift	±0.3%FS/10°C (within the temperature compensation range)

Environmental Conditions	
Temperature Range	Medium range: -40 ~ 80°C (without cooling fins) -40 ~ 140°C (with 3pcs cooling fins) -40 ~ 180°C (with 5pcs cooling fins) Ambient temp.: -20 ~ 80°C Storage temp.: -40 ~ 100°C
Protection Grade	IP65, M12×1

Electrical Protection	
Short circuit protection	Permanent
Reverse polarity protection	No damage, circuit inoperative
Electromagnetic compatibility	Conforms to EN 61326

Insulation	
Insulation resistance	>200M Ω @500VDC
Dielectric strength	<2mA @ 500VAC 1min

### Structural Drawings(unit:mm)



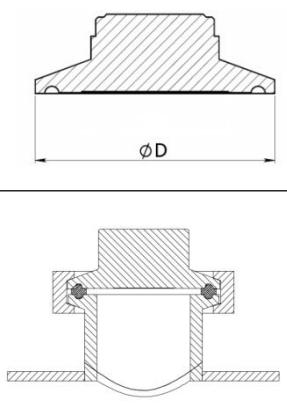
1. The dimensions listed in the picture may change with the update of the process.
2. Please consult us for other shapes.

### Structural Materials

Ordering Code	Part	Material
S4	Housing	304
S6		316L
S4	Tri-Clamp/Flange	304
S6		316L
S6	Process Connection Diaphragm	316L

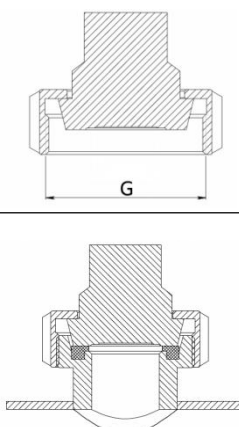
**Process Connection**

Ordering code: K252、K505、K640



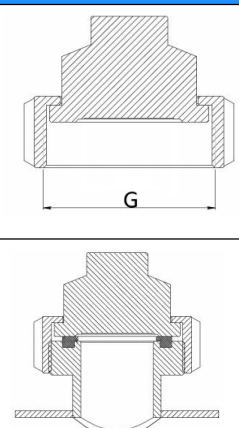
Standard	Dimension	Diameter (ϕD)	Code
Tri-Clamp	1/2"、3/4"	25.2	K252
Tri-Clamp	1"、1-1/2"	50.5	K505
Tri-Clamp	2"	64	K640
ISO 2852	DN38	50.5	K505
ISO 2852	DN40~51	64	K640
ISO 2852	DN70~76.1	91	K910
DIN 32676	DN32~40	50.5	K505
DIN 32676	DN50	64	K640
DIN 32676	DN65	91	K910

Ordering code: KD40、KD50



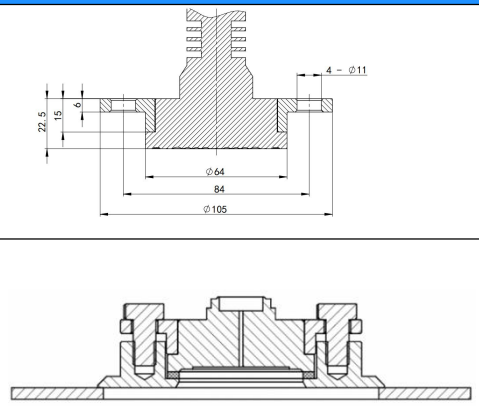
Standard	Dimension	Dimension (G)	Code
DIN 11851	DN40	Rd 65*1/6	KD40
DIN 11851	DN50	Rd 78*1/6	KD50

Ordering code: KS112、KS2



Standard	Dimension	Dimension (G)	Code
SMS	1-1/2"	Rd 60*1/6	KS112
SMS	2"	Rd 70*1/6	KS2

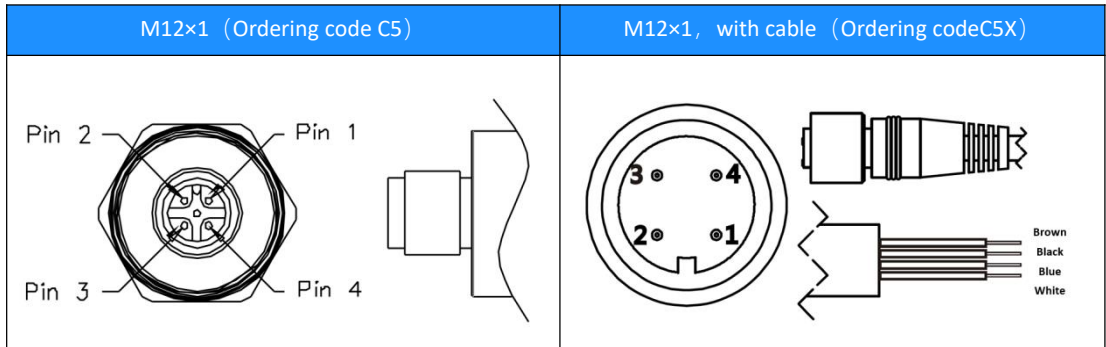
Ordering code: KDRD



Recommended Gasket Size: 64\*48\*2

Standard	Dimension	Code
DRD	DN50	KDRD

### Electrical Connection



#### Two wire 4 ~ 20mA current output

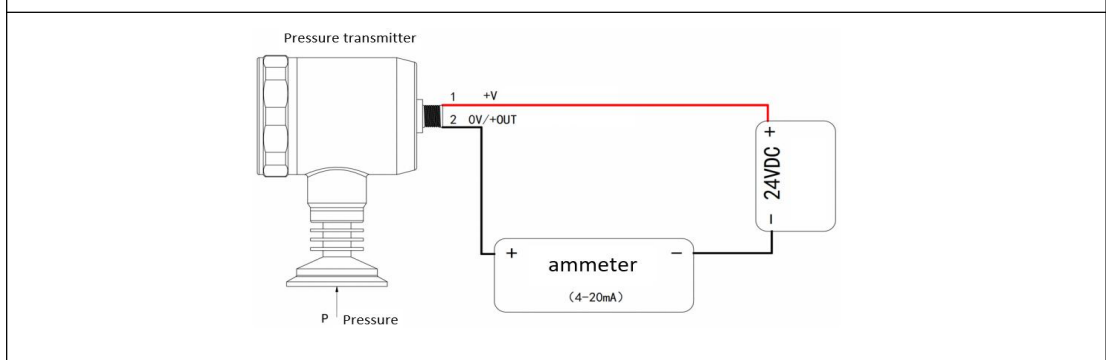
Signal Definition	Power supply+(+V)	Power supply-(0V/+OUT)
M12×1	1	2
M12×1 with cable	brown	black

#### Three wire 0~5V/10V voltage output

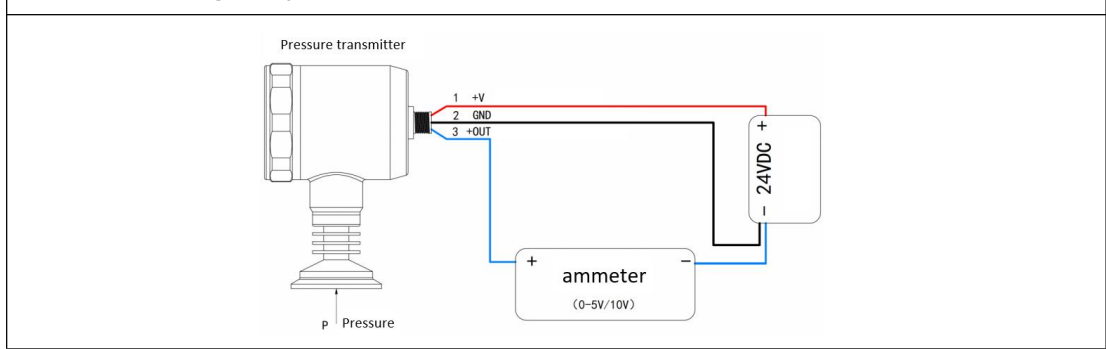
Signal Definition	Power supply+(+V)	Power supply-(GND)	Signal+(+OUT)
M12×1	1	2	3
M12×1 with cable	brown	black	blue

### Wiring Diagram

#### Two-wire current output



#### Three-wire voltage output



## Ordering Guide

<b>Model Type</b>	HPM760 Sanitary Pressure Transmitter
-------------------	--------------------------------------

<b>Measuring Range</b>	(X1~X2)bar
------------------------	------------

Code	Output Signal
------	---------------

B1	(4-20)mA
----	----------

B3	(0-10)V
----	---------

B4	(0-5)V
----	--------

Code	Process Connection
------	--------------------

K252	Tri-Clamp 1/2"
	Tri-Clamp 3/4"

K505	Tri-Clamp 1-1/2"
	ISO 2852 DN38
	DIN 32676 DN32-40

K640	Tri-Clamp 2"
	ISO 2852 DN40-51
	DIN 32676 DN50

KDRD	DRD DN50
------	----------

KS112	SMS 1-1/2"
-------	------------

KS2	SMS 2"
-----	--------

Code	Electrical Connection
------	-----------------------

C5	M12×1
----	-------

C5X	M12×1,with cable
-----	------------------

Code	Housing Material
------	------------------

S4	304
----	-----

S6	316L
----	------

Code	Tri-clamp or Flange Material
------	------------------------------

S4	304
----	-----

S6	316L
----	------

Code	Diaphragm
------	-----------

S6	316L
----	------

HC	HastelloyC
----	------------

TA	Tantalum
----	----------

Code	Additional Functions
------	----------------------

G	Gauge Pressure
---	----------------

S	Sealed Gauge Pressure
---	-----------------------

A	Absolute Pressure
---	-------------------

Y6	Top display
----	-------------

Y7	Side display
----	--------------

T3	3pcs Cooling Fins
T5	5pcs CoolingFins
NT	No Temperature Cooling Fins
FE	PTFE
NS	Normal temperature silicone oil(-30℃～150℃)
HS	High temperature silicone oil(150℃～320℃ )
OL	Olive oil(-10℃～120℃ )
NM	NeoBee M-20(-10℃～180℃ )
EP	Electrolytic polishing treatment of liquid-connected parts

E.G.: HPM760 (0～1)bar-B1-K505-C5-S4-S6-S6-G Y7 NT NS