

## HPM288 Anti-explosion Pressure Transmitter



Nanjing Hangjia Electronic Technology Co., Ltd.

## Overview

HPM288 Anti-explosion Pressure Transmitter adopts high-performance silicon piezoresistive pressure core. The inner AISC transforms the signal of transmitter to standard long-distance current, and can be directly connected with computer interface card, control instrument, intelligent instrument or PLC conveniently. This series of products can be widely used in industrial process control, petroleum, chemical, metallurgy, mining and other industries. This product conforms to GB3836.1-2010(Explosive atmosphere Part1: General requirements for equipment ) and GB3836.2-2010(Explosive atmosphere Part2: the equipment protected by flameproof enclosure “d”). The explosion-proof mark is Exd II CT6. The anti-explosion pressure transmitter can work normally under the following altitude, ambient air temperature as well as environment relative humidity: altitude lower than 200 meters, ambient air temperature in the range of  $-10^{\circ}\text{C} \sim +60^{\circ}\text{C}$ ; environment relative humidity 90% ( $+25^{\circ}\text{C}$ ).

## Features

- .isolation and explosion-proof Exd II CT6
- .aluminium alloy shell, ingress protection IP65
- .field display, 4-20mA DC signal output and other telecommunication signals
- .with polarity reversal protection, overcurrent and overvoltage protection
- .strong anti-jamming, long-term stability

## Technical Parameters

Measuring Medium	Liquid, Gas, Steam
Pressure Range	-100kPa...0~10kPa...100MPa
Overload	1.5 times pressure range of full scale
Pressure Type	Gauge, Absolute or Sealed Gauge
Accuracy	$\pm 0.25\% \text{FS}$ (Representative), $\pm 0.5\% \text{FS}$ (Maximum)
Long-term Stability	$\pm 0.1\% \text{FS/year}$ (Representative), $\pm 0.2\% \text{FS/year}$ (Maximum)

Temperature Coefficient of Zero	$\pm 0.03\%FS/^{\circ}C$ (Reference $25^{\circ}C$ )
Temperature Coefficient of Full Scale	$\pm 0.03\%FS/^{\circ}C$ (Reference $25^{\circ}C$ )
Working Temp	$-30\sim 85^{\circ}C$
Storage Temp	$-40\sim 120^{\circ}C$
Supply Voltage	24VDC
Output Signal	4~20mADC or other customization
Output Mode	Two-wire, Three-wire
Insulation Resistance	100M $\Omega$ , 500VDC
Ingress Protection of Shell	IP65

## Structure Material

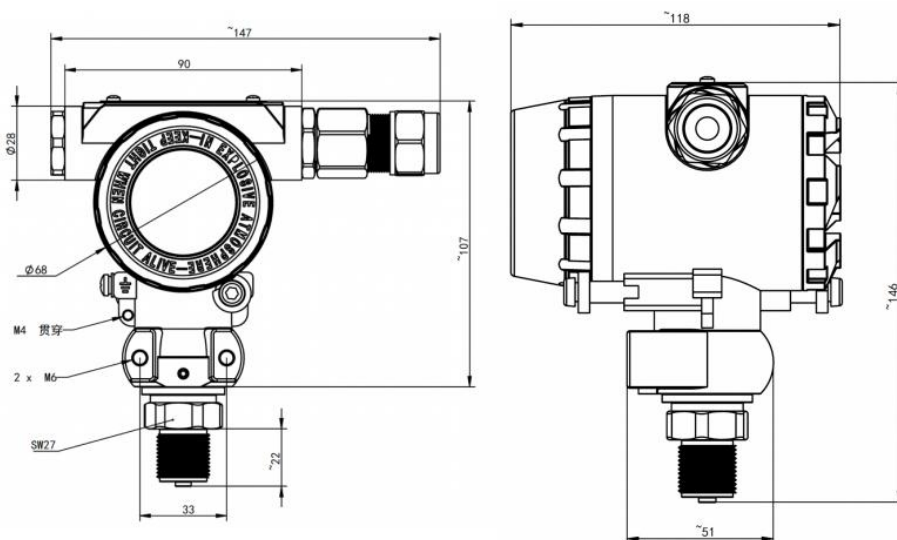
Shell: aluminum alloy

Pressure interface: stainless steel 1Cr18Ni9Ti

Diaphragm: stainless steel 316L

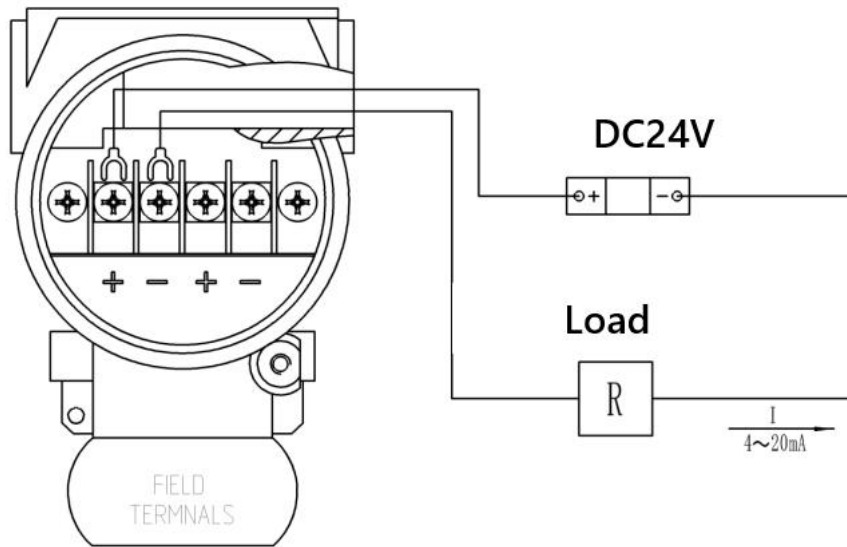
O-ring: fluoro rubber

## Structure Drawings

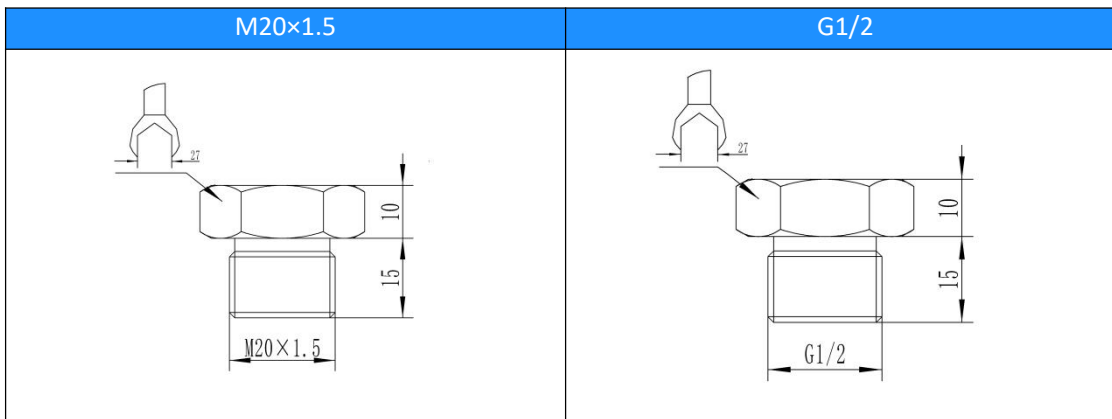


### Electrical Connection

Pin	Wire Color	Two Wire Current
OUT+	Red	Power+ (+V)
OUT-	Black	Power- (0V/+OUT)
The Rest	N/A	N/A



### Pressure Port



## Ordering Guide

Item NO.	Type					
HPM288	Anti-explosion Pressure Transmitter					
	Pressure Range (0 ~ X)kPa	Measuring Range Fill out X directly				
		Code	Output Signal			
		B1	(4 ~ 20)mA			
		B2	(0 ~ 10)mA			
		B3	(0 ~ 10)V			
		B4	(0 ~ 5)V			
		B5	(1 ~ 5)V			
		B6	(0.5 ~ 4.5)V			
		Code	Thread Spec			
		P1	M20×1.5			
		G12	G1/2			
		K505	1.5			
		K640	2" tri-clamp			
		F20	DN20 flange			
		F25	DN25 flange			
		F50	DN50 flange			
		Code	Electrical Connection			
		C8	Cable gland NPT1/2" female			
		Code	Structure&Material			
			Diaphragm	Process connection	Shell Material	
		M1	316L	SS304	Aluminum Alloy	
		M1A	316L	316L	Aluminum Alloy	
		M2	Titanium	Titanium	Aluminum Alloy	
		M3	Titanium	Customization	Aluminum Alloy	
		M4	Hastelloy	Customization	Aluminum Alloy	
		X	others			
		Code	Additional Functions			
		G	Gauge Pressure ( Default)			
		A	Absolute Pressure			
		S	Sealed Gauge Pressure			
		FK	Fluororubber O-Ring ( Default)			
		NB	NBR O-Ring			
		d	Explosion-proof Type, Ex db IIC T6 Gb			
		f	Extb IIIC T80°C Db			
		LCD	LED Display			
		LED	LCD Display			
HPM288	(0~600)kPa	B1	P1	C9	M1	G FK d f LCD