

HPM1510P Pressure Transmitter



Nanjing Hangjia Electronic Technology Co., LTD

Overview

HPM1510P pressure transmitter adopts the mature glass micro-fused technology in the industry, modular product design, and mass production. The liquid contact part of the product adopts 17-4PH or 304 material, integrated pressure cavity, no oil filling, welding and O-ring, no risk of pressure leakage. This product is suitable for measuring various liquid or gas pressures, especially for water pumps, compressors, sewage, pressure shock and other occasions. For OEM customers with small and large batches, this product has a good cost performance.

Features

- ◆ High-cost performance
- ◆ One-piece stainless steel pressure chamber, no leakage
- ◆ No O-ring, no oil filling
- ◆ Compact and strong
- ◆ Comprehensive accuracy can reach 2.0% (within the compensated temperature range)

Applications

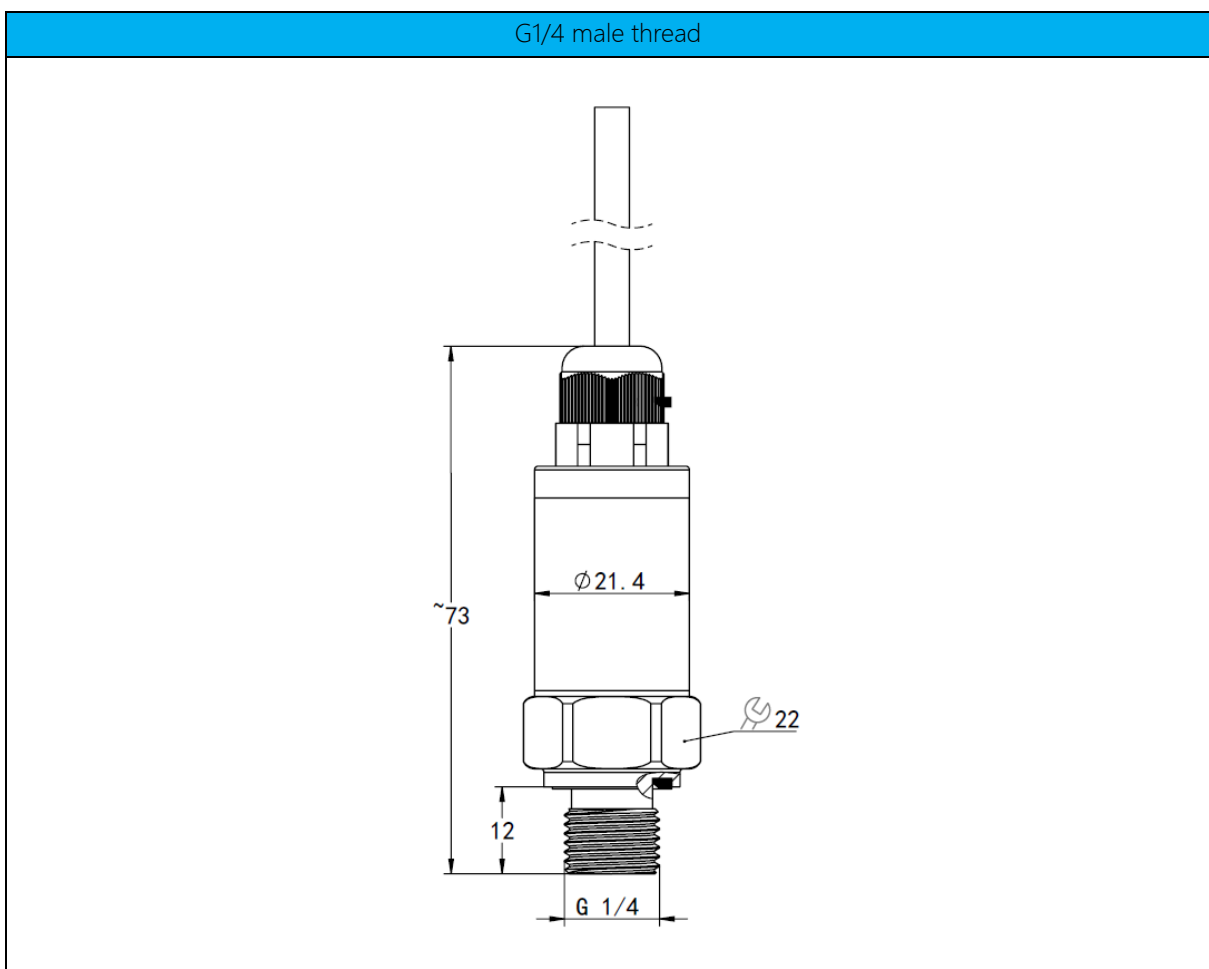
- ◆ Pumps and compressors
- ◆ Hydraulic and pneumatic systems
- ◆ Agricultural machinery and equipment
- ◆ Industrial pressure control and testing

Technical Parameters

Measuring Range (Gauge)	0~1, 1.6, 2.5MPa
Overload Pressure	2 times of FS
Breaking Pressure	5 times of FS
Pressure cycle life	>1×10 ⁶ zero to full scale pressure cycles
Measuring Medium	Liquid and Gas compatible with 17-4PH or SS304
Output Signal/Power Supply	4~20mADC / Vs=24 VDC 0.5~4.5VDC / Vs=5VDC
Accuracy	±1.0%FS @25°C
Long-term Stability	±0.5%FS/year
Compensation temperature range	-10~70°C
Comprehensive Precision	≤2.0%FS (In compensation temperature range)
Operation Temperature	-20~80°C

Medium Temperature	-40~120°C
Storage Temperature	-20~80°C
Protection Grade	IP65
Vibration	20g(20~2500Hz)
Shock resistance	50g(11ms)
Insulation resistance	>200MΩ @500VDC
Dielectric strength	<2mA @ 500VAC 1min

Structure Drawings(unit:mm)



Electrical Connection

2 wires 4 ~ 20mA output		
	Power supply+ (+V)	Power supply- (0V/+OUT)
Cable outlet	Red	Black
Circular Connector with cables	Red	Black

3 wires 0.5~4.5V output			
	Power supply+ (+V)	Common (GND)	Output(+OUT)
Cable outlet	Red	Black	Blue or White
Circular Connector with cables	Red	Black	Blue or White

Ordering Guide

Model No.	Type						
HPM1510P	Micro-fused Pressure Transmitter						
	Range (0 ~ X)MPa	Measuring Range	Fill X directly				
		Code	Output Signal				
		B1	(4 ~ 20)mA				
		B6	(0.5 ~ 4.5)V				
		Code	Pressure Interface				
		P3	G1/4 male				
		Code	Electrical Interface				
		C2	Cable outlet				
		C3	Circular Connector				
		Code	Sensor				
M9	Micro-fused sensor						
Code	Others						
G	Gauge pressure (Default)						
QF	Factory report						
	Other customization requirements						
eg: HPM1510P	(0 ~ 1.6)MPa	B1	P3	C2	M9	G	

Certification Information

Factory certification	
Certification organization	CQM
Quality management system	ISO 9001:2015
Certification scope	Research, development and manufacture of pressure transmitter and temperature transmitter
Certificate No.	00223Q21711R1S