

## HPM135B Refrigeration Industry Dedicated Pressure Transmitter



Nanjing Hangjia Electronic Technology Co.,Ltd.

## Product Overview

HPM135B refrigeration industry dedicated pressure transmitter adopts high-performance ceramic sensor, with high precision electronic conditioning circuit, through strict process assembly and production. This product is cost-effective and has a variety of pressure and electrical interfaces.

The product is well designed, not only the structure is exquisite, but also the performance is outstanding, and its unique anti-condensation water design plays a pressure protection role for the safe and efficient operation of the equipment. It is mainly used in water-cooled screw units, ground source heat pumps, freezers, ice machines and other fields.

## Features

- ◆ Unique anti-condensation design
- ◆ Small form factor for applications where installation space is at a premium
- ◆ Multiple pressure connections available
- ◆ Multiple electrical output options
- ◆ Wide operating temperature range
- ◆ Good long-term stability
- ◆ Brass housings, 3-wire voltage output 0.5 to 4.5VDC

## Applications

Refrigeration industry.

HVAC.

Water-cooled screw units.

Ground source heat pump, water source heat pump units, etc.

## Technical Parameters

Measuring Range	
Gauge Pressure	0 ~ 1...50bar
Overload	200%FS
Measuring Medium	
Type	All types of liquids and gases compatible with contact materials
Output Signal/Power supply	
Standard	Three-wire: 0.5 ~ 4.5V <sub>DC</sub> proportional voltage / V <sub>s</sub> =5V <sub>DC</sub>

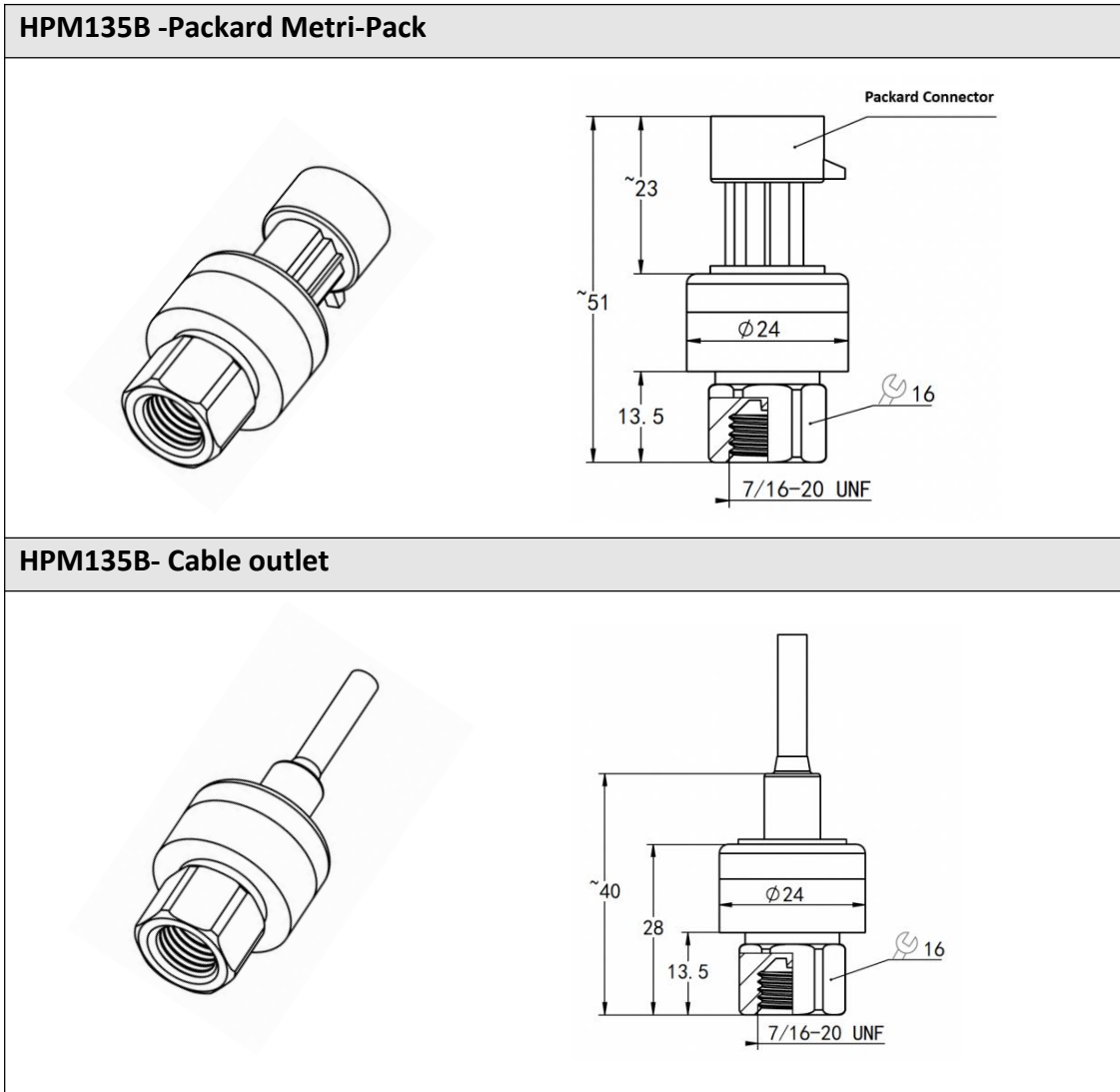
Process Connection	
Standard	7/16-20UNF Female, with thimble; 7/16-20UNF Male; G1/4 Male etc.

Performance	
Accuracy	$\pm 1.0\%FS$ , @25°C
Long-term Stability	$\pm 0.5\%FS/year$
Environmental Conditions	
Temperature range	Ambient temp.: -20 ~ 85°C
	Medium temp.: -35 ~ 110°C
	Storage temp.: -40 ~ 85°C
Protection grade	IP65: Packard Metri-Pack、IP66:Cable outlet

Electrical Protection	
Short circuit protection	Permanent
Reverse polarity protection	No damage, circuit inoperative
Electromagnetic compatibility	Conforms to EN 61326
Mechanical Stability	
Vibration	10g(20~2000Hz)
Shock resistance	100g(11ms)

Insulation	
Insulation resistance	>20MΩ @500VDC
Dielectric strength	<2mA @ 500VAC 1min

### Structural Drawings(unit:mm)



**Notes:**

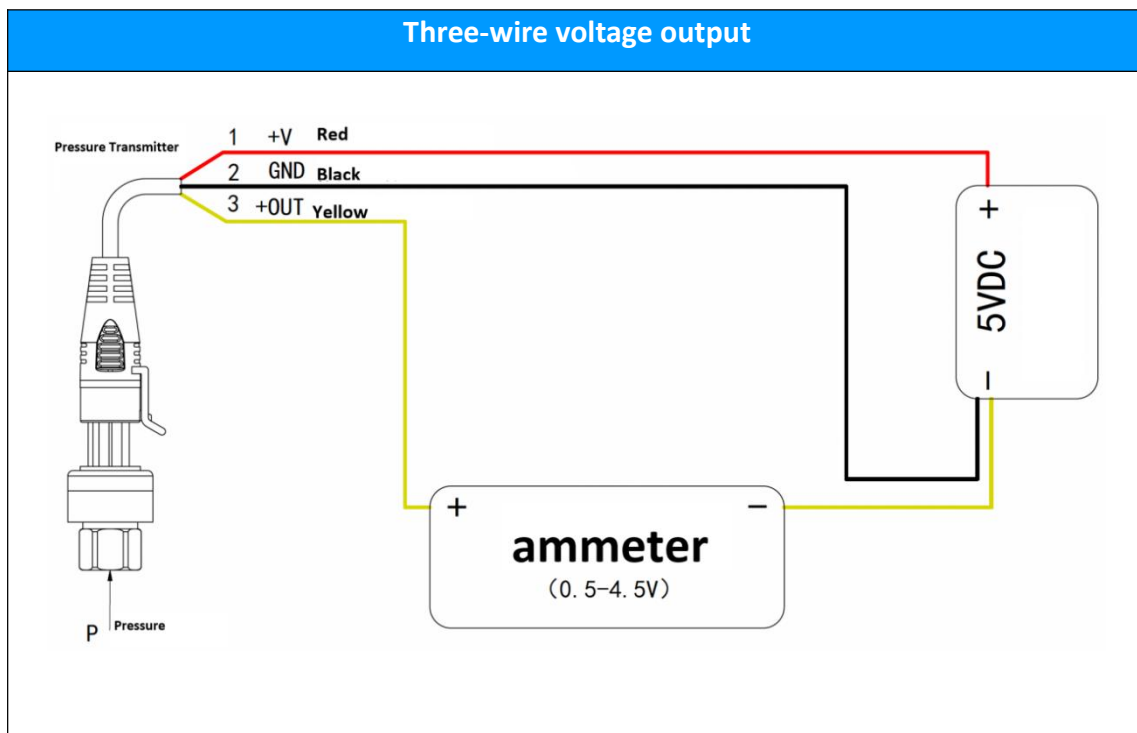
- 1、 The dimensions listed in the picture may change with the update of the process.
- 2、 Please consult the sales engineer for other shapes and sizes.

### Structural Material

Ordering code	Part	Material
Cu	Process connection	Brass
M5	Sensor	Ceramic
CR	O-ring	CR neoprene seal ring
X		Other customized

## Electrical Connection

Three wire voltage output			
Signal Definition	Power+(+V)	Power-(GND)	Signal+(+OUT)
Packard connector with cable	red	black	yellow
Cable outlet	red	black	yellow



## Ordering Guide

Model	Type						
HPM135B	Refrigeration pressure transmitter						
E.g. HPM135B	(0 ~ X)bar	Range	Measuring Range				
		(0 ~ X)bar	Fill out X directly				
		Code	Output Signal				
		B6	(0.5 ~ 4.5)V				
			Code	Process Connection			
			P3	G1/4 Male			
			P8	NPT1/4 Male			
			P10	7/16-20UNF Male			
			P11	7/16-20UNF Female			
			Code	Electrical Connection			
			C2	Cable outlet			
			C4	Packard connector			
			Code	Housing Material			
			Cu	Brass			
		Code	Seal Ring				
		CR	CR neoprene				
		Code	Additional Functions				
		V5	5V power supply				
E.g. HPM135B	(0 ~ 50)bar	B6	P11	C4	Cu	CR	V5