

HPM129A-121/123 High Temperature Melt Pressure Transmitter



Nanjing Hangjia Electronic Technology Co.,Ltd.

Product Description

HPM129A-121/123 High Temperature Melt Pressure Transmitter instrument can be used in Melt-blown fabric production procedure to measuring and controlling pressure of high-temperature articles. It also applied in the fields of chemical fibers, plastics and rubber or high-temperature resistant fluid. By assimilating advanced technologies of similar international products and using imported raw materials and key elements, the instrument is characteristic of stable operation, reliable performance, high accuracy, strong output signal, excellent dynamic performance and slight high-temperature resistant zero drift. This series Transducers can joint with our Intelligence digital display pressure sensor instruments to control and measure pressure. Connecting screws and outgoing connectors are all universal.

Applications

1. Plastic extrusion machine
2. Rubber industry
3. Laboratory, Chemical Fiber Industry
4. High pressure liquid measurement

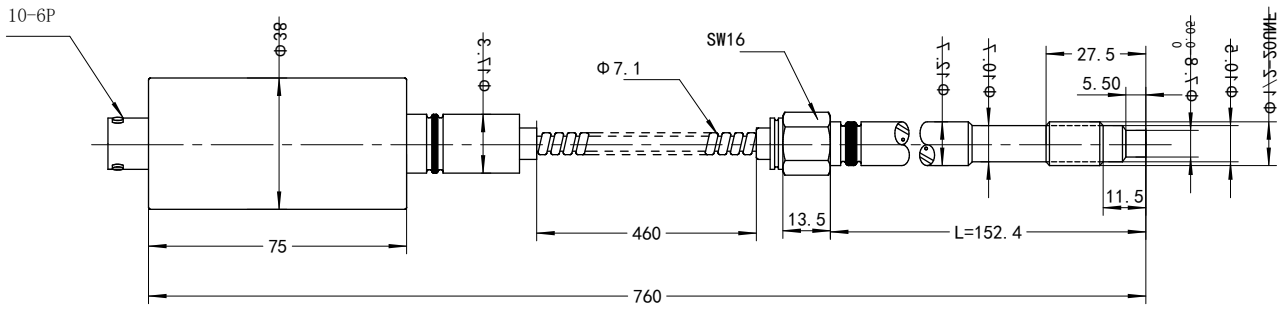
Features

- 80% internal calibration signal
- maximum temperature 400°C
- High stability and reliability
- 15-5PH Diaphragm

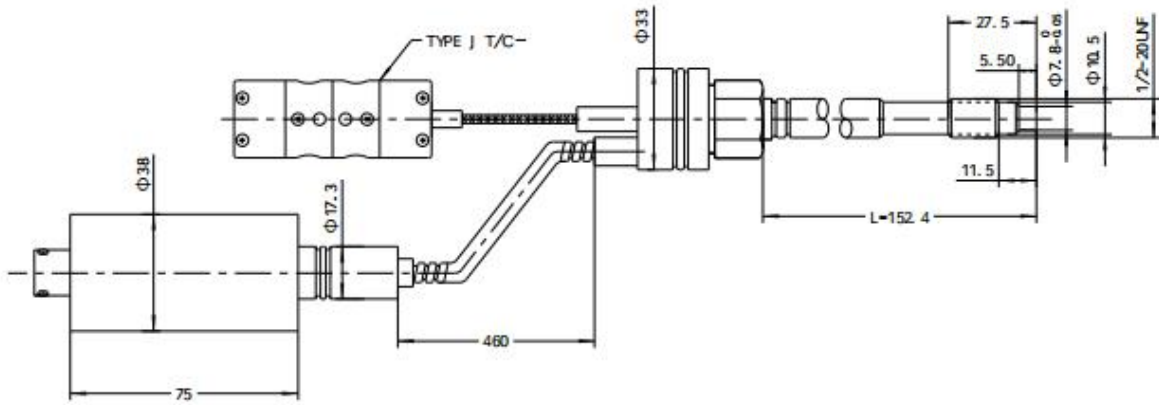
Parameters

Pressure range	0-3.5MPa...0-150MPa
Overload	1.5 X FS
Accuracy:(Linearity; Hysteresis;Repeatability)	$\pm 1.0\%$ FS (HPM129A-121) ; $\pm 0.25\%$ FS $\pm 0.5\%$ FS optional(HPM129A-123)
Output	4-20mA, 0-10V, 0-5V
Supply Voltage	24VDC (12-36V)
Response time	$\leq 5\text{ms}$
Output Resistance	350 Ohms $\pm 10\%$
Internal self-calibration	80% FS $\pm 1\%$
insulation resistance	200M Ω @ 100 VDC
Max diaphragm temperature	400 $^{\circ}\text{C}$
Diaphragm Material	15-5PH Stainless Steel with coating
Electrical Connection	5 Pin Plug; 6 Pin Plug;
Process connect port	1/2"-20UNF, M14 \times 1.5, M18 \times 1.5 M22 \times 1.5,G3/4 (customized)

Dimension



HPM129A-121/123



HPM129A-121T/123T

(Note: T means with temperature measurement element)

Ordering Guide

Model	Item NO.					
HPM129A	121 (±1.0% FS)					
	123 (±0.25% FS ±0.5% FS)					
	121T (±1.0% FS)					
	123T(±0.25% FS ±0.5% FS)					
		Pressure Range	Measuring Range			
		0~10MPa...150Mpa	Fill out directly			
			Code	Output Signal		
			B1	(4~20)mA		
			B2	(0~10)V		
			B3	(0~5)V		
			Code	Thread Spec		
			P1	M14×1.5		
			P2	1/2-20UNF		
			P3	M18×1.5		
			P4	M22×1.5		
			Code	Electrical Connection		
			C1	5 Pin Plug		
			C2	6 Pin Plug		
			C3	Cable gland		
			Code	Temperature signal type		
			N	N/A		
			J	J type thermocouple		
			K	K type thermocouple		
			E	E type thermocouple		
			P	PT100		
E.g. HPM129A-121	(0~10)~150MPa	B1	P1	C1	N	
E.g. HPM129A-123T	(0~10)~150MPa	B1	P1	C1	p	